

4

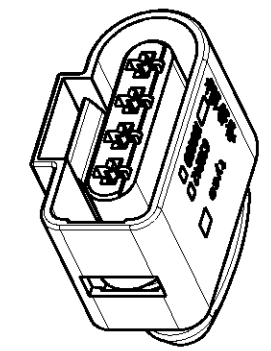
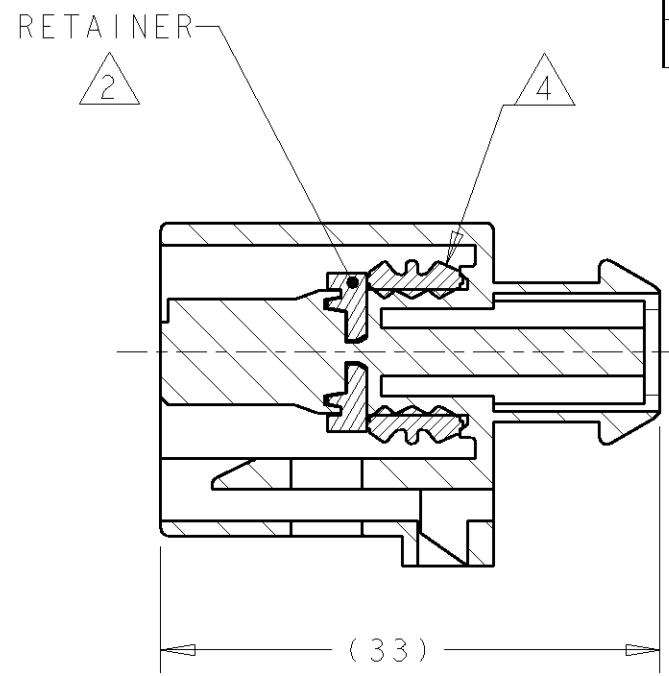
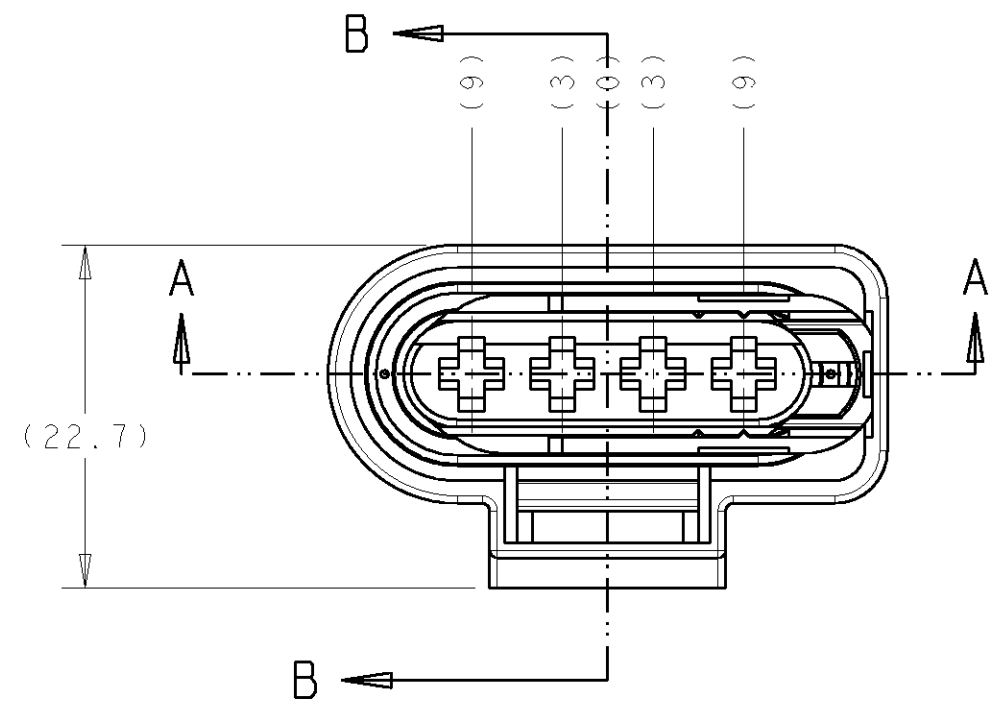
3

2

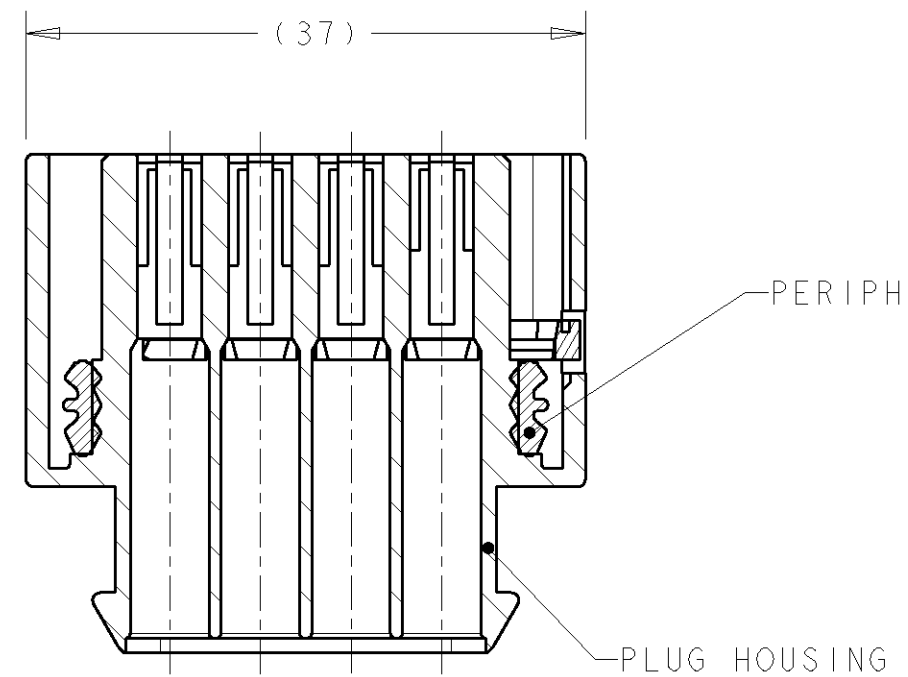
1

THIS DRAWING IS UNPUBLISHED. RELEASED FOR PUBLICATION 20
 © COPYRIGHT 20 BY TYCO ELECTRONICS CORPORATION. ALL RIGHTS RESERVED.

LOC	DIST	REVISIONS				
P	LTR	DESCRIPTION	DATE	DWN	APVD	
GE	00	E	REVISED PER ECO-08-004643	28FEB2008	AH	DC



SCALE 1:1



- 1 THE RETAINER IS ASSEMBLED INTO THE PLUG HOUSING IN THE FIRST DETENT POSITION (OPEN POSITION).
- 2 PLUG HOUSING: PBT, 15% GLASS-FILLED, BLACK
RETAINER: PBT, 15% GLASS-FILLED, RED
PERIPHERAL SEAL: SILICONE ELASTOMER, COLOR, SEE TABLE
- 3. TYPE A JPT TERMINALS AND INDIVIDUAL WIRE SEALS SOLD SEPARATELY. SEE PRINT 1355047 FOR TERMINAL DETAILS.
- 4 SEAL MAY BE INSERTED IN EITHER DIRECTION. ORIENTATION OF SEAL DOES NOT AFFECT SEALABILITY.

30 DUROMETER	BLUE	638245-2
50 DUROMETER	GREEN	638245-1
PERIPHERAL SEAL	COLOR	PART NUMBER

<small>THIS DRAWING IS A CONTROLLED DOCUMENT FOR TYCO ELECTRONICS CORPORATION IT IS SUBJECT TO CHANGE AND THE CONTROLLING ENGINEERING ORGANIZATION SHOULD BE CONTACTED FOR THE LATEST REVISION.</small>		DWN MD BROWN 05OCT2001 CHK MD BROWN 05OCT2001 APVD MD BROWN 05OCT2001	Tyco Electronics Harrisburg, PA 17105-3608
DIMENSIONS: mm	TOLERANCES UNLESS OTHERWISE SPECIFIED: 0 PLC ±- 1 PLC ±.3 2 PLC ±.10 3 PLC ±- 4 PLC ±- ANGLES ±5°	PRODUCT SPEC - APPLICATION SPEC - WEIGHT -	NAME RECEPTACLE ASSEMBLY, 4 POSITION RADIAL SEALED, JPT
MATERIAL 2	FINISH -	SIZE A3 CAGE CODE 00779 DRAWING NO C-638245	RESTRICTED TO -
CUSTOMER DRAWING		SCALE 2:1	SHEET 1 OF 1 REV E